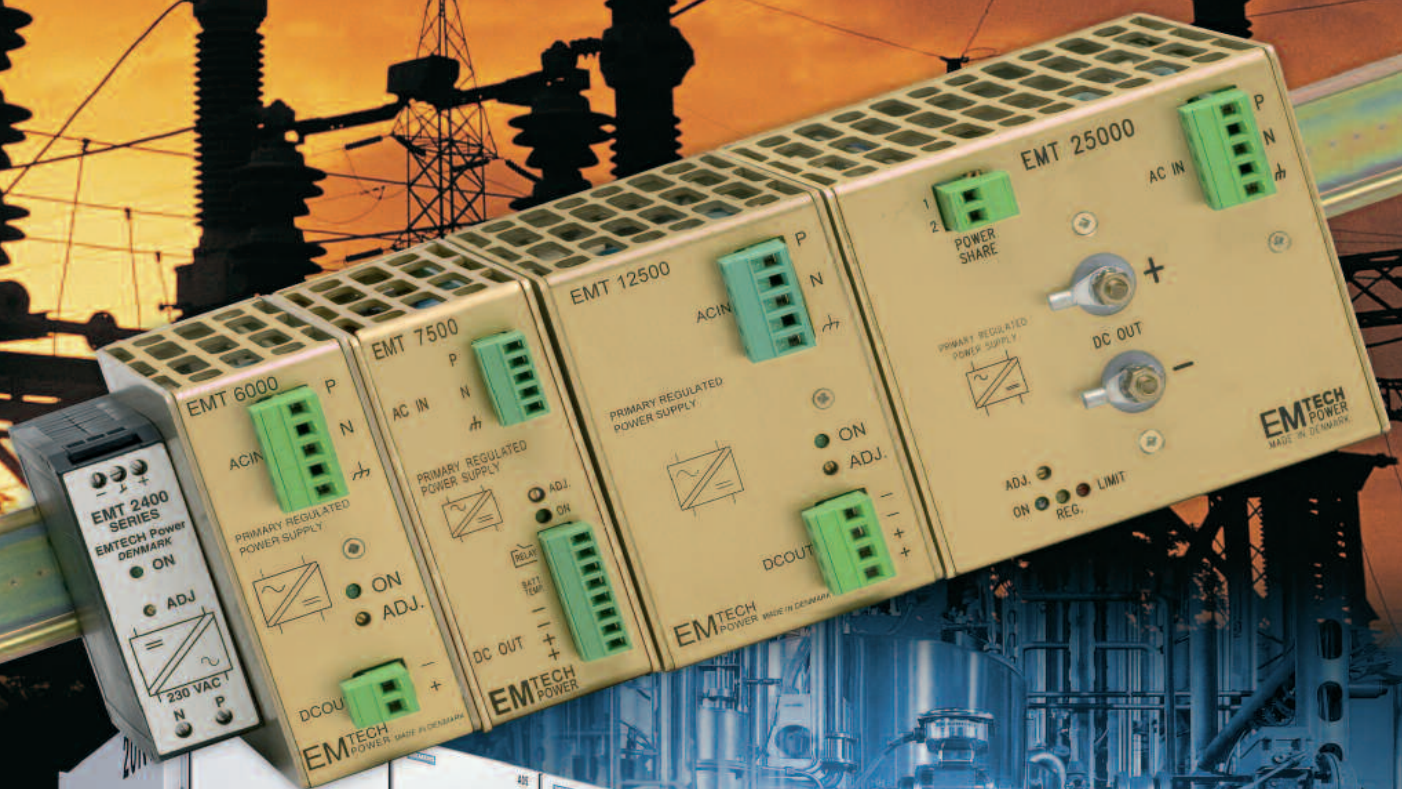


**EMTECH**  
*Power*

# SWITCH MODE POWER SUPPLIES



**WHEN YOU NEED RELIABLE AND  
REDUNDANT POWER SOLUTIONS**

# EMTECH *Power*

is your partner



When failure is not an option



When you need reliable back-up systems



When you have demands for separate power systems



When your environments are tough



When uptime and reliability are key parameters to you and when you just want a trouble-free solution.

## ▼ REDUNDANT / PARALLEL OPERATIONS

## ▼ MAXIMUM UPTIME

## ▼ FAILURE TOLERANT

## ▼ COMPACT DESIGN

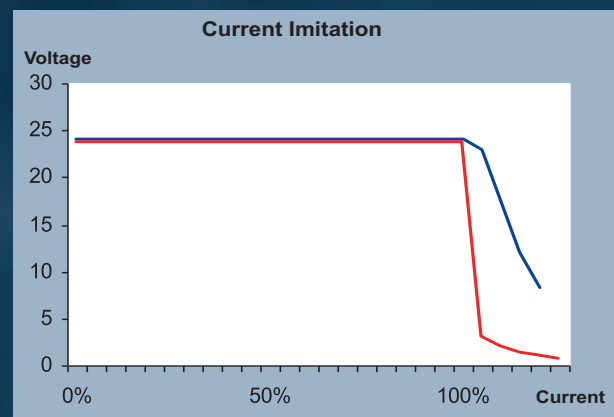


The EMTECH family of high-quality Switch Mode Power Supplies for DIN RAIL mounting is the ideal solution for those with a need for reliable uptime, battery charging or parallel/redundant systems.

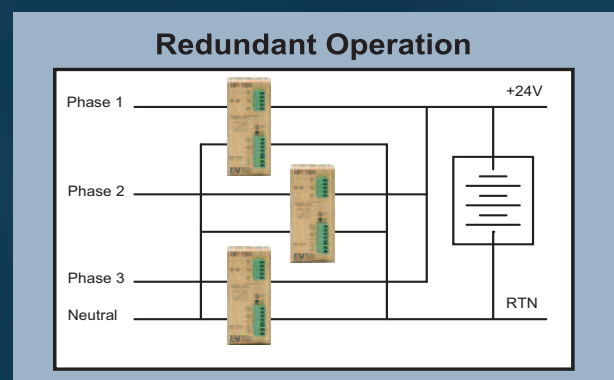
The Power Supplies feature accurate power output, top-class current limitation and provide over-voltage protection.

The compact designs combined with the high-efficiency topology make the power supplies ideal for integration into most equipment.

EMTECH's focus is to create flexible and easy-to-use products, making day-to-day routines easier and safer. The Power Supplies are simple to mount, failure-protected and have excellent EMC performance.



BLUE: 2400 / 6000 / 7500 & 12500 Series  
RED: 25000 Series



Sample of a configuration using 3 pcs EMT 7524 in parallel with all outputs connected into a back-up battery. The inputs are connected to individual phases.

## Main Features

- ▼ **Maximum Uptime** - The Power Supplies feature top-class current limitation instead of switch-off function.
- ▼ **Accurate Power Output** - The Power Supplies supply very accurate output voltage though sensing on output.
- ▼ **Redundant/Parallel Operations** - The Power Supplies are ideal for operating in redundant and parallel systems and provide over-voltage protection and current limitation.
- ▼ **Low Temperature Increase** - The Power Supplies are based on highly efficient topologies giving minimal temperature increase well-suited for integration into host equipment.
- ▼ **Long Lifetime** - The Power Supplies are manufactured with reliable high-temperature/long-life components. The current limitation function secure that no components are stressed.
- ▼ **Battery Charging** - The Power Supply output is adjustable for lead battery charging.
- ▼ **Protection** - The Power Supplies are failure tolerant against input/output over-voltage and short circuits on output terminals.
- ▼ **Compact Design** - The Power Supplies are manufactured in compact designs - with non-corrosive alu-boxes.
- ▼ **Easy Monitoring** - The Power Supplies' LED display on the front panel provides easy overview of power status.
- ▼ **External Control** - Some Power Supply models provide a remote signal which can be used for external alarms or displays.
- ▼ **Low Output Noise** - The Power Supplies have low output noise and a very low primary/secondary capacitance improve system immunity.

## About EMTech



*EMTech has more than 20 years of experience in designing and manufacturing reliable power products for industrial, emergency, medical and military applications.*

*We have extensive knowledge of materials and topologies and know the best results are achieved through close dialogue with our customers and efficient manufacturing facilities.*

*Our Quality system is compliant with ISO 9001 and we are accustomed to work in accordance with international norms and standards, UL included.*

*EMTech products comprise a range of standard products for DIN-Rail Power supplies, Battery Chargers and Electronic switches as well as custom-tailored design solutions.*

*We are located in Asnaes, Denmark, and in Bangkok, Thailand.*

**For more information, please contact**

**EMTECH**  
*Power*

Industrivangen 5-11  
DK-4550 Asnaes

Tel. +45 4656 3802  
Fax +45 4656 3974

[www.emtech.dk](http://www.emtech.dk)  
[emtech@emtech.dk](mailto:emtech@emtech.dk)